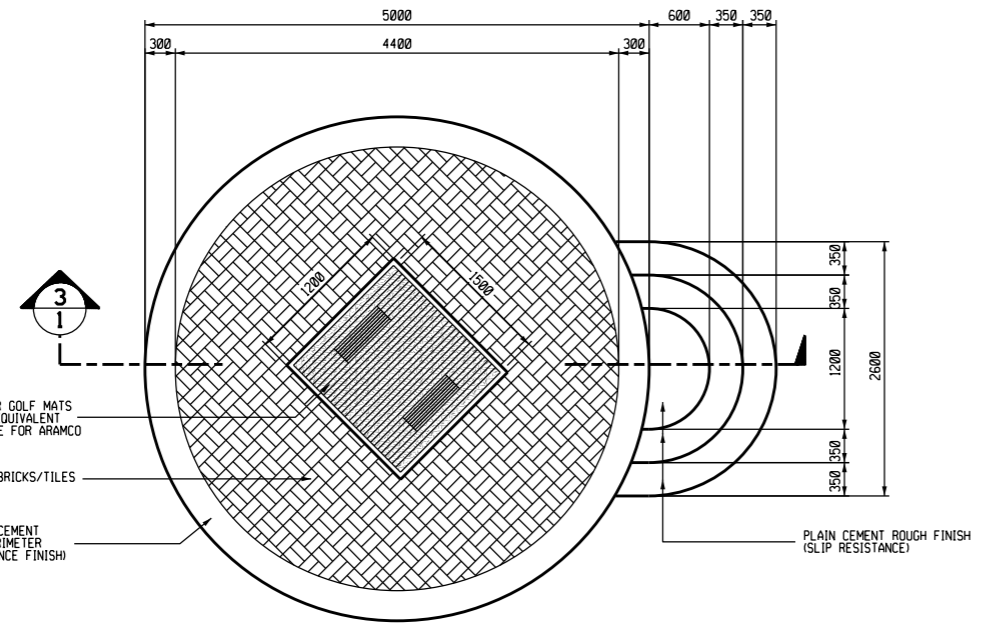
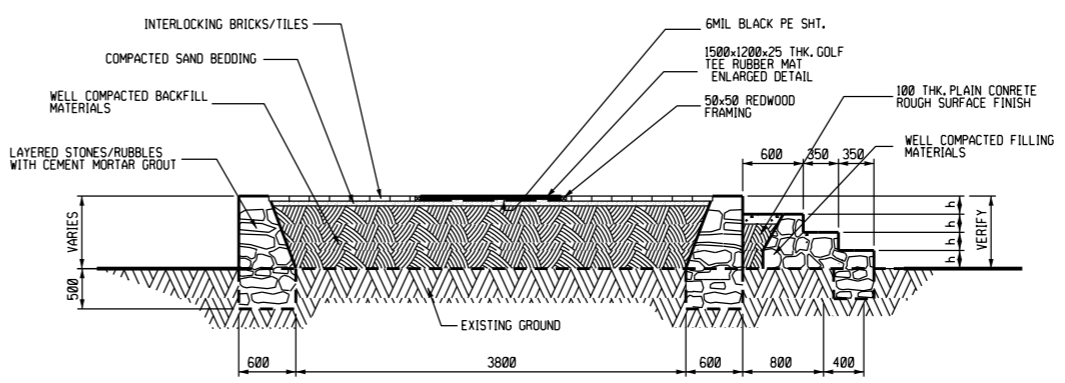


0	3	3	100102-SK-201307	R/O			
JOB ORDER/EWO NO.	PLANT NO.	INDEX	DRAWING NUMBER	REV. NO.	SHT. NO.	REV. NO.	

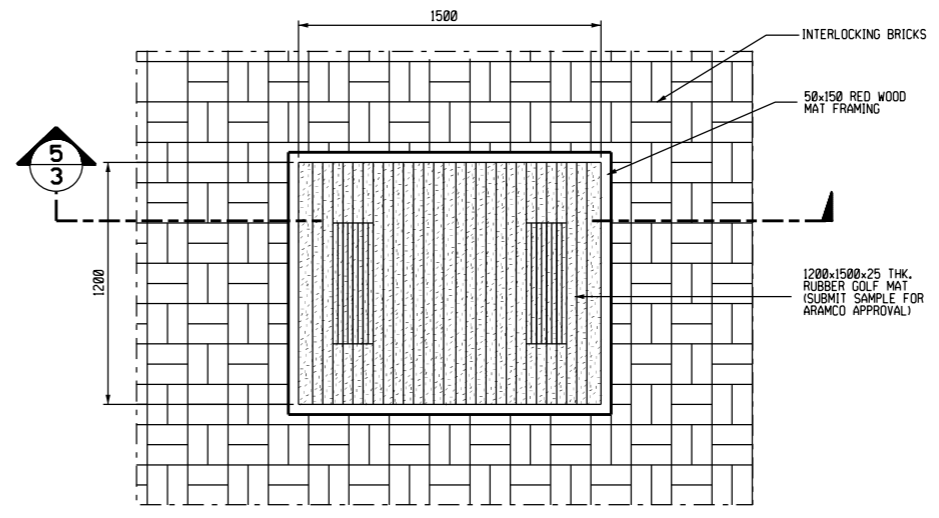
- NOTES:**
- 1.) ALL DIMENSIONS ARE IN MILLIMETERS UNLESS OTHERWISE IDENTIFIED IN THE DRAWINGS.
 - 2.) ALL EXISTING TEE BOXES SHALL BE DEMOLISHED AND REPLACED WITH NEW AS SHOWN IN THE PROPOSED DRAWING DETAILS.
 - 3.) CONTRACTORS SHALL VISIT ACTUAL CONDITIONS OF THE SITE TO VERIFY ACTUAL HEIGHTS OF THE EXISTING TEE BOXES.
 - 4.) HEIGHTS OF NEW TEE BOXES VARIES AS PER EXISTINGS OR AS PER ADVISE OF THE PROPONENT/GOLF USERS/ OR RECREATION DEPARTMENT REPRESENTATIVE.
 - 5.) GOLF MATS SHALL BE OF MATERIALS EQUAL TO THE EXISTING OR ANY EQUIVALENT THAT COULD WITHSTAND THE EXPOSURE TO KINGDOMS ALL WEATHER CONDITION. SUBMIT SAMPLE FOR APPROVAL.
 - 6.) STONES OR RUBBLES TO BE USED SHALL BE FROM 100 TO 300MM DIAMETER IN SIZE. RED RUBBLES IS
 - 7.) ANY DISCREPANCY/CHANGES/VARIATION FOUND BETWEEN THE ACTUAL CONDITION AND THE DRAWINGS DURING CONSTRUCTION SHALL BE BROUGHT TO THE ATTENTION OF THE SAUDI ARAMCO PROJECT ENGINEERS FOR PROPER ACTION.



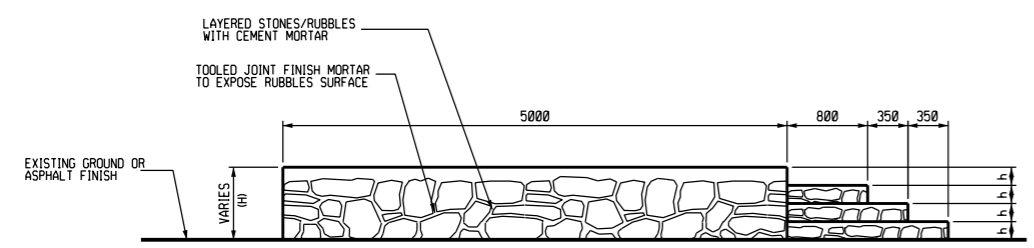
1 PROPOSED PLAN VIEW
SCALE: 1:30



3 SECTION DETAILS
SCALE: 1:30

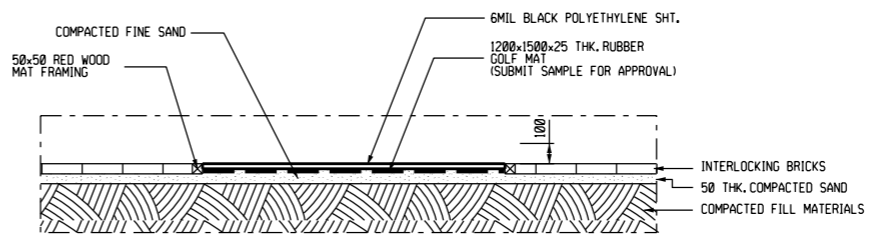


4 ENLARGED DETAIL
SCALE: 1:30



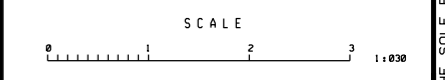
2 PROPOSED SIDE VIEW
SCALE: 1:30

NOTE: HEIGHT (H) MAY VARIES DEPEND ON THE LOCATIONS AND GROUND LEVELS
VERIFY EXISTING TEE BOXES
NUMBER OF STEPS AND HEIGHT MAY ALSO VARIES
DEPEND ON THE HEIGHT OF TEE BOX.
h - VARIES FROM 150 TO 180MM



5 ENLARGED SECTION
SCALE: 1:30

ISSUED FOR CONSTRUCTION



REV. NO.	DATE	JO/EWO	DESCRIPTION	ENGG. CERT.	PMT	OPRNG.

THIS REVISION IS NOT TO BE USED FOR CONSTRUCTION UNTIL CERTIFIED AND DATED.

DESIGN CERTIFICATION
DRAWN BY: REHE CL
DATE STARTED: 25 JANUARY 2013
DISCIPLINE ENGINEER: HANAN A. DABIL
PROJECT ENGINEER: WASIL AL-DALWI

CHECKED BY: HANAN A. DABIL
DATE COMPLETED: 27 JANUARY 2013

THIS DRAWING IS NOT TO BE USED FOR CONSTRUCTION UNTIL CERTIFIED AND DATED.

CERTIFIED BY: MOHAMMED I. SADAAN
SIGNATURE: _____ DATE: _____

SAUDI ARABIAN OIL COMPANY

REVIEW FOR KEY DRAWINGS REQUIRED NOT REQUIRED

OPERATIONS

OTHER: FIRE & SAFETY

PROPOSED PLAN & SECTION DETAILS
REPLACE ABOAIO GOLF TEE BOXES

ABOAI0		SAUDI ARABIA	
JOB ORDER/EWO NO.	PLANT NO.	INDEX	DRAWING NUMBER
		R/O	SK-201307
SHT. NO.	REV. NO.	SHT. NO.	REV. NO.
3	0	3	0